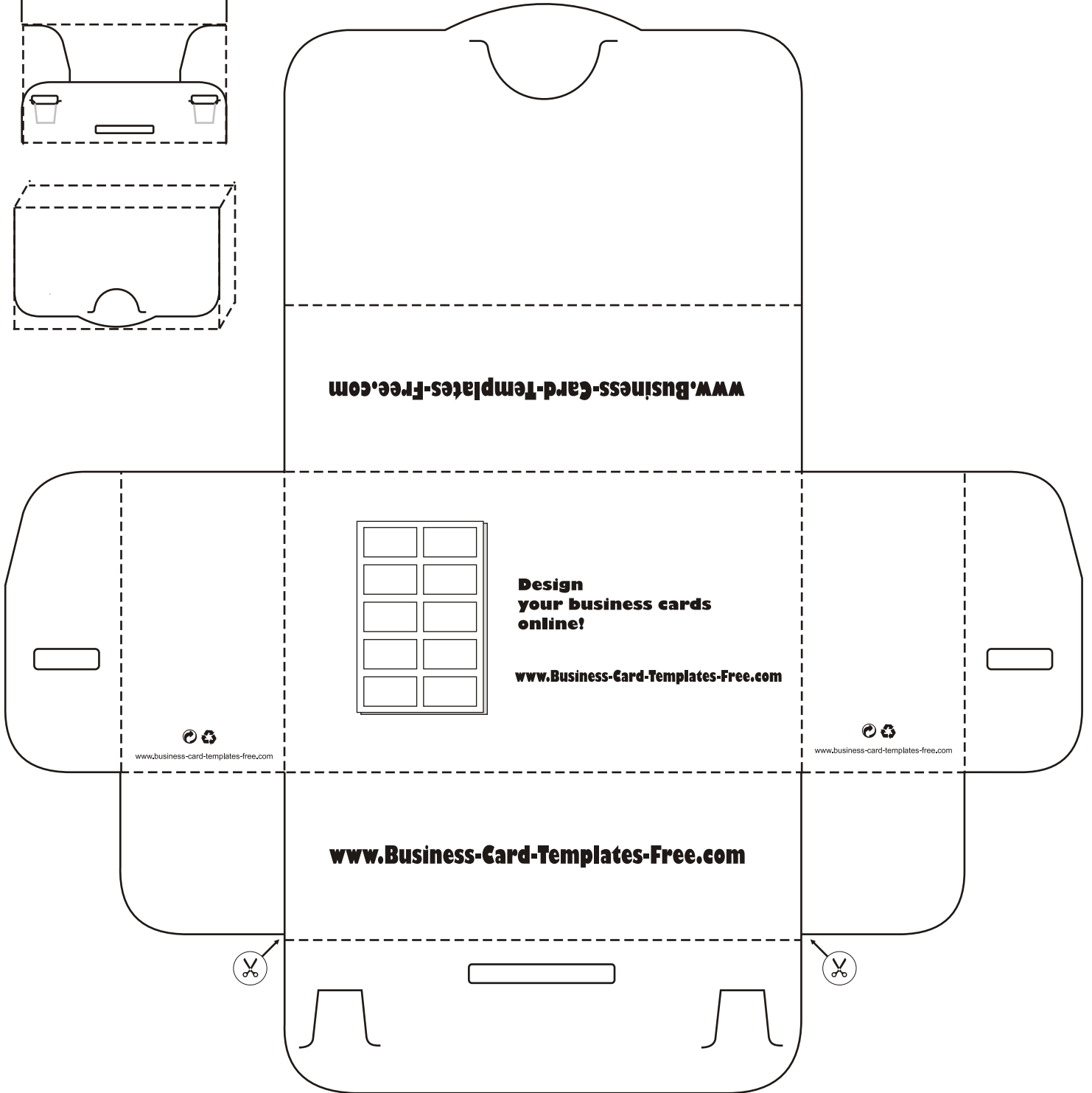
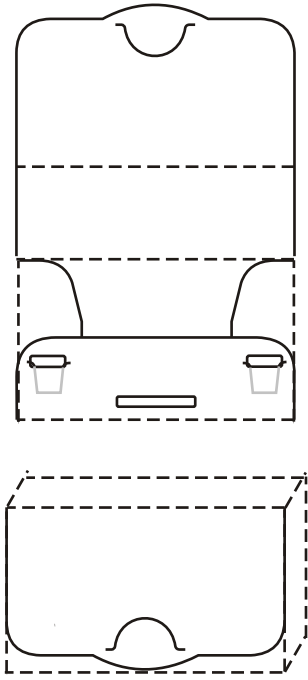


Assembly scheme

Box for business cards (without glue)



----- Bend
————— Cut